



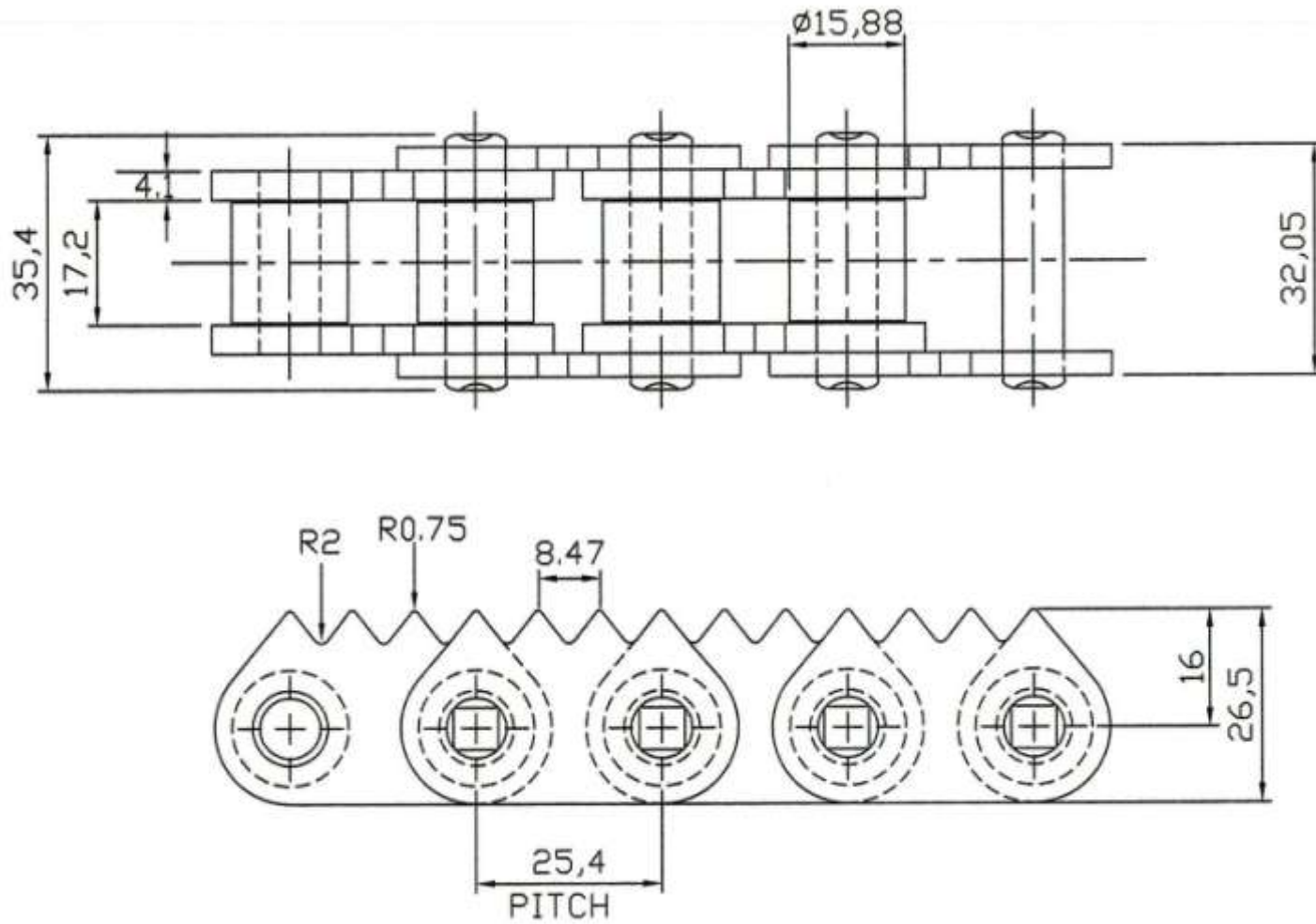
MERLEY CHAINS (UK) LTD

Chains for Sawmills & Timber

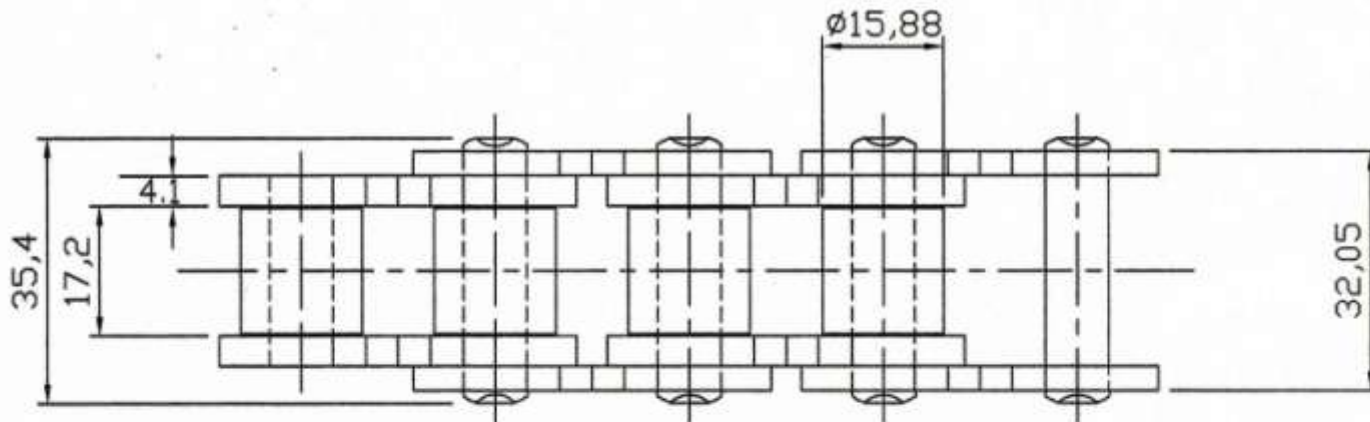
Processing

Contents

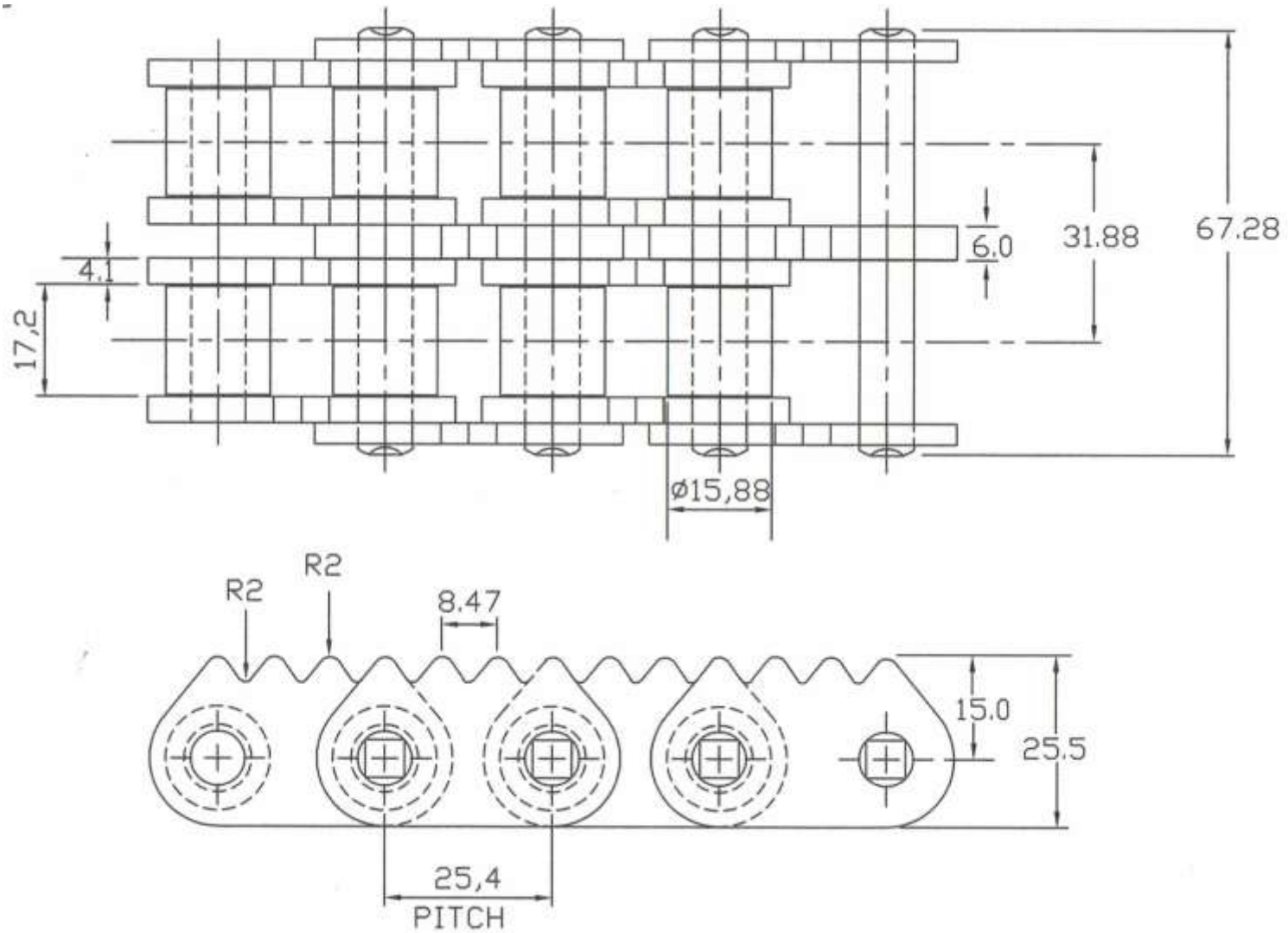
Page 1	Title
Page 2	Contents
Page 3	16B-1GL170 – 1”pitch, Quad Saw Tooth
Page 4	16B-1GL172R – 1” pitch, Quad Rounded Saw Tooth
Page 5	16B-2GL172R – 1” pitch, Duplex Quad Rounded Saw Tooth
Page 6	16B-1GLSL2E2LP – 1”pitch, Twin Spike Sharp Top
Page 7	16B-1GLSL2EOLBS – 1” pitch, Twin Spike Sharp Top with Inverted Deep Link Inner
Page 8	24B-1ST-1 – 1 ½” pitch, Double Sharp Top
Page 9	32B-1GLSL2E2LP – 2” pitch, Twin Spike Sharp Top with Inverted Deep Link Outer
Page 10	32B-1GLSL2EP – 2” pitch, Twin Spike Sharp Top with Inverted Deep Link Side Bar



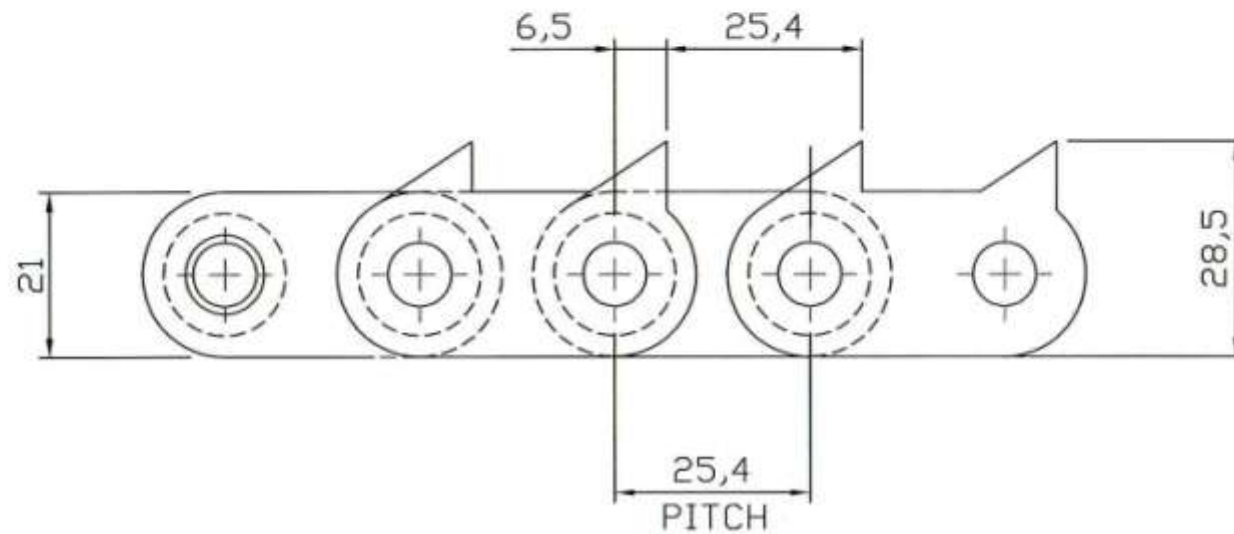
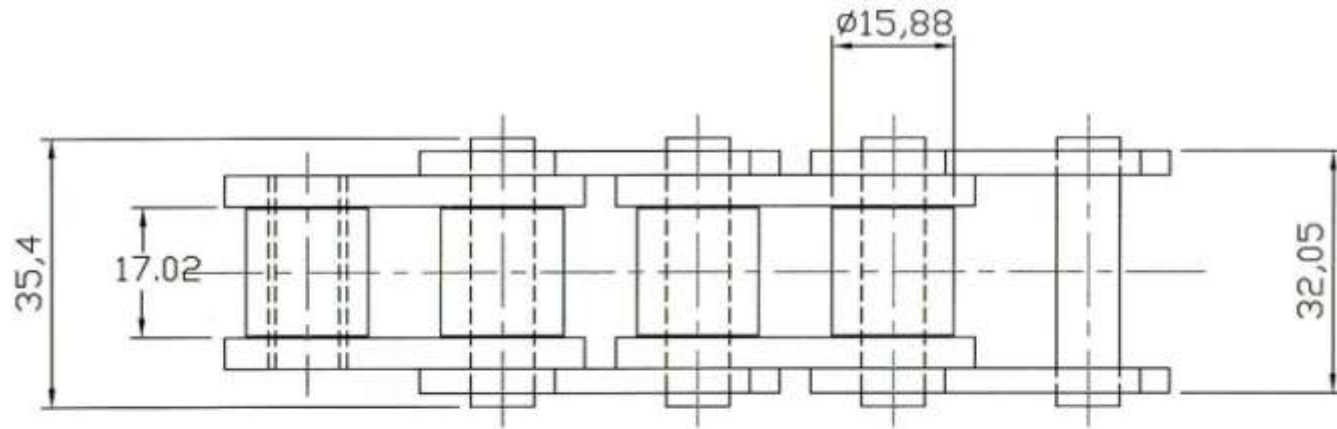
16B-1GL170 – 1"pitch, Quad Saw Tooth



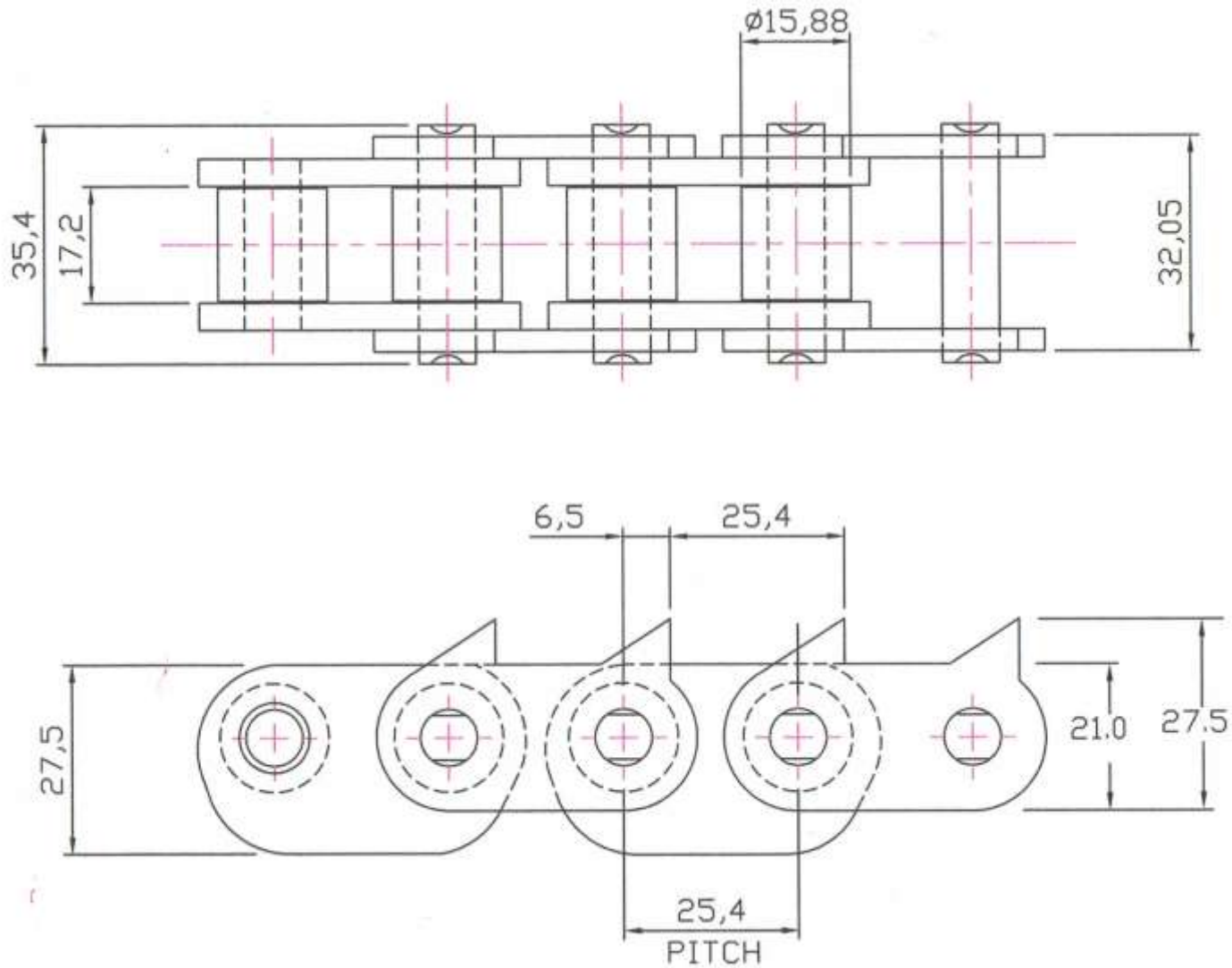
16B-1GL172R – 1" pitch, Quad Rounded Saw Tooth



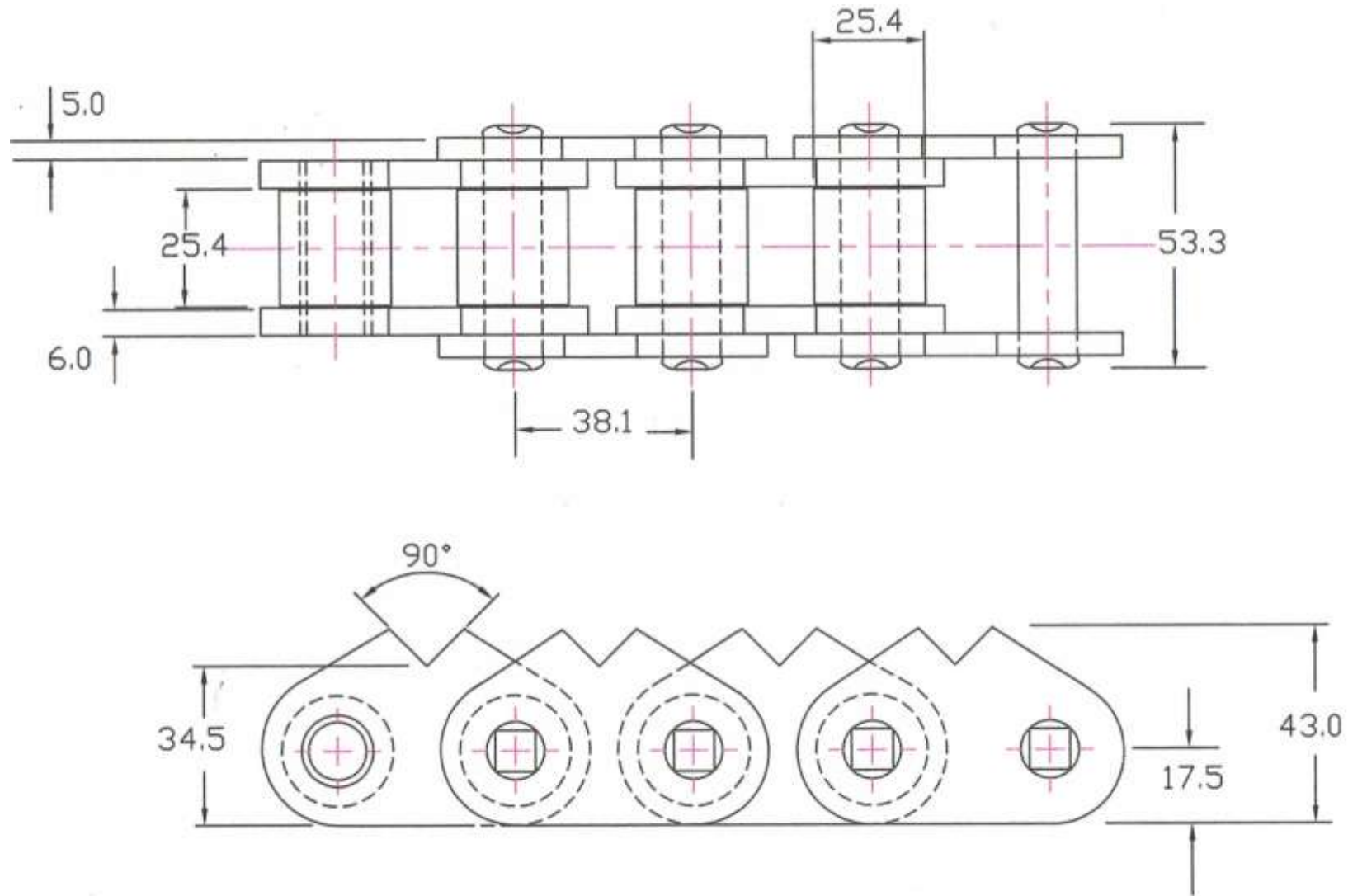
16B-2GL172R – 1" pitch, Duplex Quad Rounded Saw Tooth



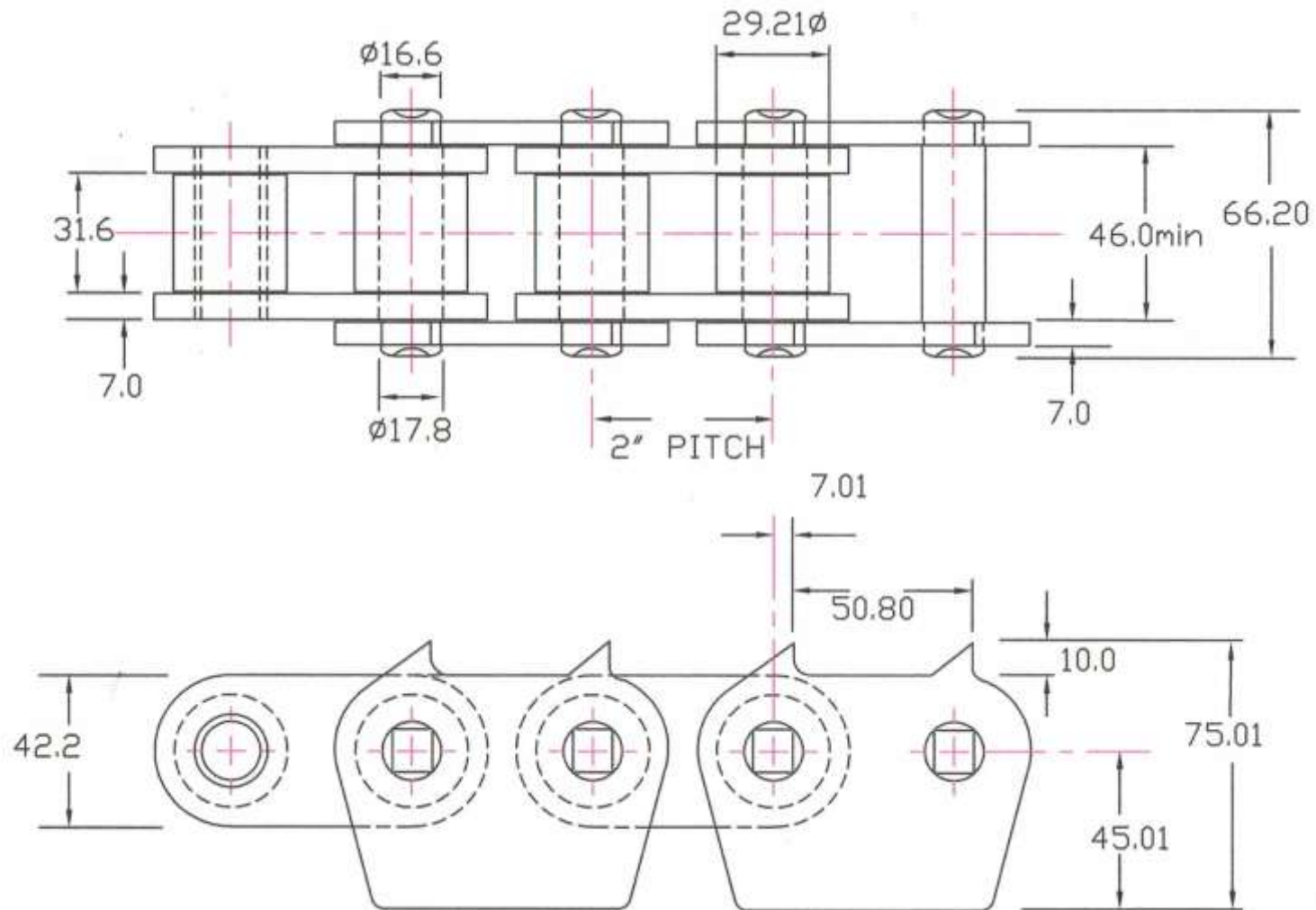
16B-1GLSL2E2LP – 1"pitch, Twin Spike Sharp Top



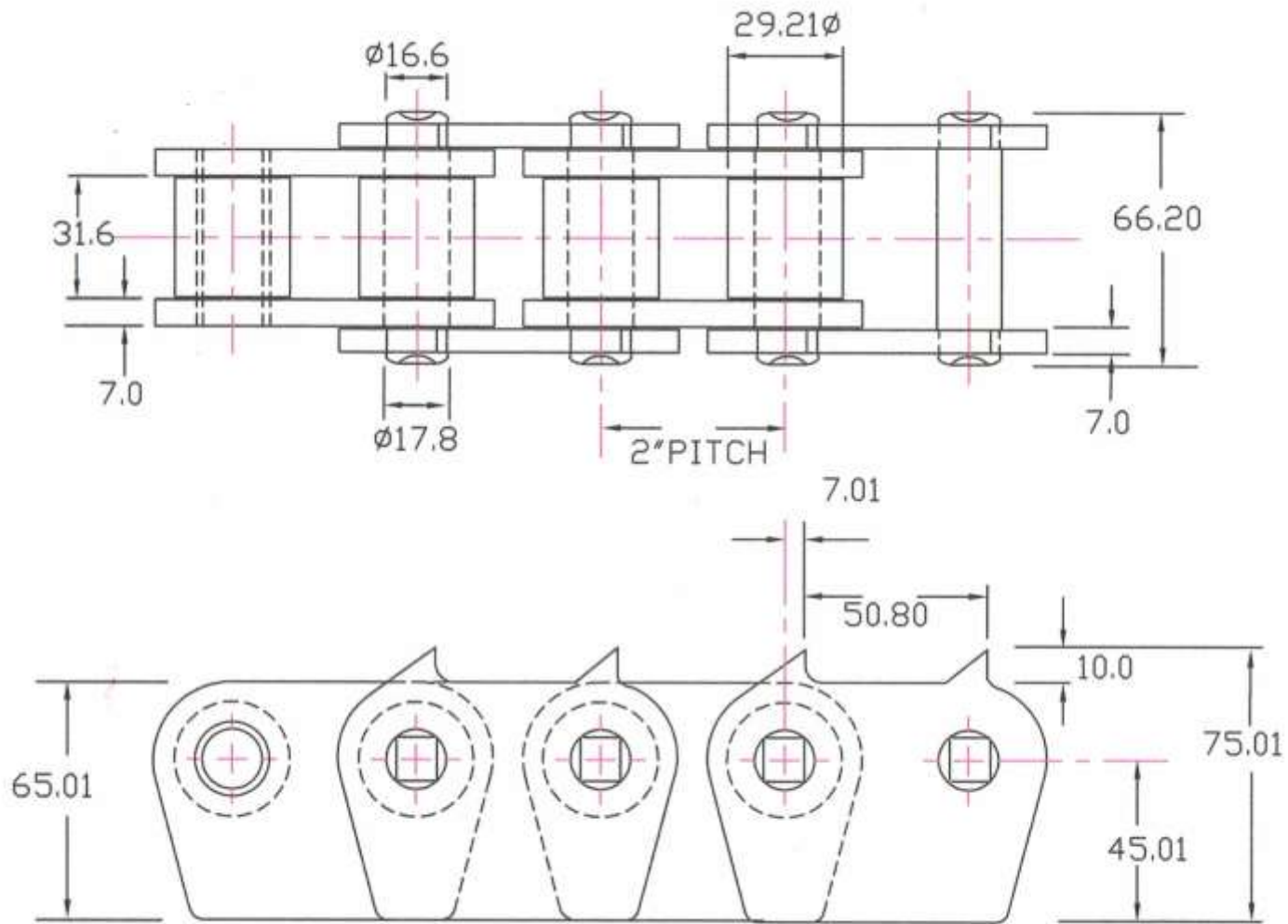
16B-1GLSL2EOLBS – 1" pitch, Twin Spike Sharp Top with Inverted Deep Link Inner



24B-1ST-1 – 1 ½" pitch, Double Sharp Top



32B-1GLSL2E2LP – 2" pitch, Twin Spike Sharp Top with Inverted Deep Link Outer



32B-1GLSL2EP – 2" pitch, Twin Spike Sharp Top with Inverted Deep Link Side Bar